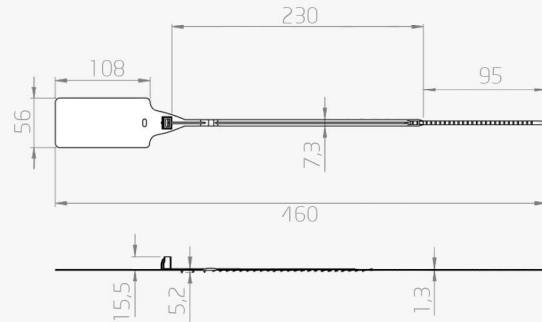
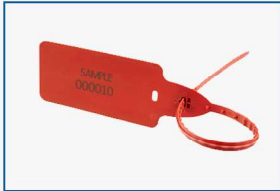


Big Flag Seal

Applications

Cargo and Postal, Retail



All dimensions in mm

Product Description

- Made of PolyPropylene (PP) material
- Extra large marking area to attach special labels especially for recycling, retail, postal and courier companies
- Available with %30 Post-Consumer Recycle added production
- Optional printing for Company logo and 8 digits consecutive numbering

- Fiber laser, UV Laser and Thermal print options
- Barcode or QR-Code print options for mobility
- Shipped in mats of 4 pcs.
- Pull-apart strength 40 Kgf
- Working temperature : -40°C / +80°C

Color Options

Please contact our sales team for different colors



Product Description	Big Flag Seal
Quantity	500 pcs
Box Dimensions	28x50x29 cm
Box Weight	5,46 kg
Pallet Info	100x120x250cm, 32.000 pcs